

## 电源线路滤波扼流圈

## Axial Fiexd Inductors

Operating Temp:-20℃ ~ 80℃



### 特征:

- 低损耗,感量高,高可靠性.
- 高电流扼流圈.
- 高饱和铁氧体芯.

### FEATURES:

- Low cost ,Wide range of inductance, High reliability.
- High current chokes.
- High saturation ferrite core.

### 用途:

- 电视和音响设备.
- 通信设备.
- 射频滤波器.

### APPLICATIONS:

- TVs and Audio equipment.
- Telecommunication devices.
- RF filters.

### 产品型号:

### PRODUCT IDENTIFICATION:

**YKVC** — **0410** — **1R0** — **K** — **UL** — **I**

① — ② — ③ — ④ — ⑤ — ⑥

① — ② — ③

类型 Type	
YKVC	电源线路滤波扼流圈 Axial Fiexd Inductors

外形尺寸(L×H) (mm) External Dimensions (L×H) (mm)	
0410	10.5×5.5

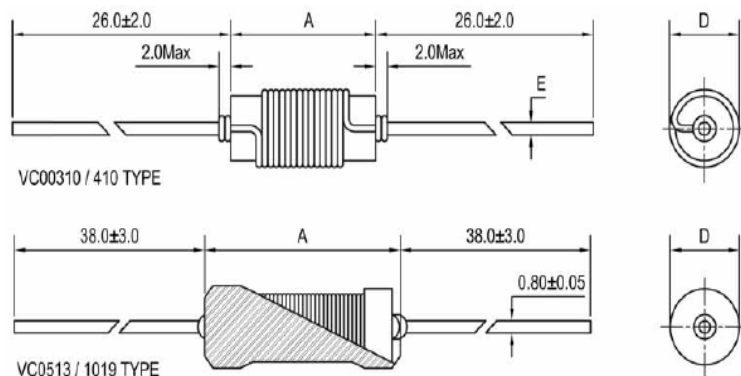
Inductance
1.0 uH

Tolerance	
J:±5%,K: ±10%, L: ±15%	
M: ±20%,P: ±25%, N: ±30%	

包装 Packing	
B	散装 Bulk Package
T	编带 Tape & Reel

Inductance
1.0 uH

### Shape and Size(Dimension are in mm):



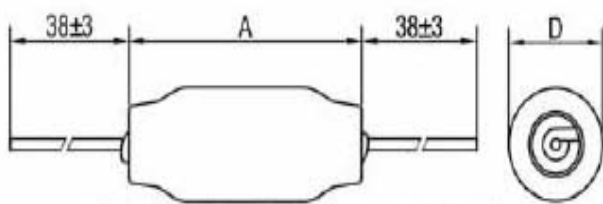
YK P/N	A max	B max	E ±0.05
VC0310	10.5	4.5	0.65
VC0410	10.5	5.5	0.80
VC0513	16.5	6.6	0.85
VC1019	23.0	11.5	0.85

Part No.	L (uH)	Q Min	L.Q Test Freq. (MHz)	SRF (MHz) Min	DCR. (Ohm) Max	Rated Current (mA) Max	Core material
YKVC0310-1R0M	1.0	40	25.2	160	0.017	1800	Ferrite
YKVC0310-2R2K	2.2	20	7.96	150	0.025	1600	Ferrite
YKVC0310-4R7K	4.7	25	7.96	135	<b>0.090</b>	1400	Ferrite
YKVC0310-100K	10	20	7.96	50	0.220	1200	Ferrite
YKVC0410-R15M	0.15	70	25.2	480	0.018	1850	Ferrite
YKVC0410-R18M	0.18	70	25.2	450	0.022	1800	Ferrite
YKVC0410-R22M	0.22	70	25.2	400	0.025	1740	Ferrite
YKVC0410-R27M	0.27	70	25.5	380	0.029	1680	Ferrite
YKVC0410-R33M	0.33	70	25.2	300	0.032	1610	Ferrite
YKVC0410-R39M	0.39	70	25.2	280	0.035	1540	Ferrite
YKVC0410-R47M	0.47	70	25.2	260	0.039	1430	Ferrite
YKVC0410-R56M	0.56	70	25.2	210	0.049	1320	Ferrite
YKVC0410-R68M	0.68	70	25.2	190	0.078	1200	Ferrite
YKVC0410-R82M	0.82	70	25.2	180	0.090	1130	Ferrite
YKVC0410-1R0M	1.0	70	25.2	165	0.105	1020	Ferrite
YKVC0410-1R2K	1.2	55	7.96	150	0.063	1580	Ferrite
YKVC0410-1R5K	1.5	55	7.96	135	0.071	1500	Ferrite
YKVC0410-1R8K	1.8	55	7.96	125	0.078	1450	Ferrite
YKVC0410-2R2K	2.2	55	7.96	115	0.088	1380	Ferrite
YKVC0410-2R7K	2.7	55	7.96	105	0.098	1320	Ferrite
YKVC0410-3R3K	3.3	60	7.96	90	0.205	870	Ferrite
YKVC0410-3R9K	3.9	60	7.96	85	0.225	840	Ferrite
YKVC0410-4R7K	4.7	60	7.96	80	0.25	800	Ferrite
YKVC0410-5R6K	5.6	60	7.96	70	0.28	750	Ferrite
YKVC0410-6R8K	6.8	60	7.96	65	0.31	710	Ferrite
YKVC0410-8R2K	8.2	60	7.96	60	0.35	680	Ferrite
YKVC0410-100K	10	55	7.96	40	0.39	640	Ferrite
YKVC0410-120K	12	65	2.52	40	0.67	450	Ferrite
YKVC0410-150K	15	65	2.52	40	0.76	430	Ferrite
YKVC0410-180K	18	70	2.52	36	0.85	410	Ferrite
YKVC0410-220K	22	70	2.52	33	0.96	390	Ferrite
YKVC0410-270K	27	70	2.52	31	1.10	360	Ferrite
YKVC0410-330K	33	65	2.52	29	1.24	345	Ferrite
YKVC0410-390K	39	65	2.52	26	1.37	330	Ferrite
YKVC0410-470K	47	60	2.52	23	1.65	315	Ferrite
YKVC0410-560K	56	55	2.52	20	1.95	300	Ferrite

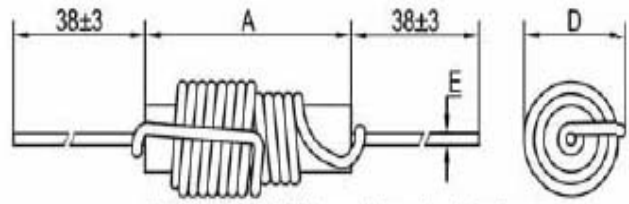
Part No.	L u(H)@1KHz	DCR (Ohm) Max	I sat (DC Amps)Ref	Suggested Rated Current(AC Amps) Ref.
YKVC0513-3R9K-□□	3.9	0.019	7.3	1.28
YKVC0513-4R7K-□□	4.7	0.022	6.3	1.28
YKVC0513-5R6K-□□	5.6	0.024	5.6	1.28
YKVC0513-6R8K-□□	6.8	0.026	5.3	1.28
YKVC0513-8R2K-□□	8.2	0.028	4.5	1.28
YKVC0513-100K-□□	10	0.033	4.1	1.28
YKVC0513-120K-□□	12	0.037	3.6	1.28
YKVC0513-150K-□□	15	0.040	3.3	1.28
YKVC0513-180K-□□	18	0.044	3.0	1.28
YKVC0513-220K-□□	22	0.050	2.7	1.28
YKVC0513-270K-□□	27	0.058	2.5	1.28
YKVC0513-330K-□□	33	0.075	2.2	1.008
YKVC0513-390K-□□	39	0.094	2.0	0.804
YKVC0513-470K-□□	47	0.109	1.8	0.804
YKVC0513-560K-□□	56	0.140	1.7	0.804
YKVC0513-680K-□□	68	0.145	1.5	0.804
YKVC0513-820K-□□	82	0.152	1.4	0.804
YKVC0513-101K-□□	100	0.208	1.2	0.632
YKVC0513-121K-□□	120	0.283	1.1	0.508
YKVC0513-151K-□□	150	0.340	1.0	0.508
YKVC0513-181K-□□	180	0.362	0.95	0.508
YKVC0513-221K-□□	220	0.430	0.86	0.508
YKVC0513-271K-□□	270	0.557	0.77	0.400
YKVC0513-331K-□□	330	0.665	0.70	0.400
YKVC0513-391K-□□	390	0.772	0.64	0.400
YKVC0513-471K-□□	470	1.15	0.59	0.315
YKVC0513-561K-□□	560	1.27	0.54	0.315
YKVC0513-681K-□□	680	1.61	0.49	0.250
YKVC0513-821K-□□	820	1.96	0.44	0.200
YKVC0513-102K-□□	1000	2.30	0.40	0.200
YKVC0513-122K-□□	1200	2.65	0.35	0.200
YKVC0513-152K-□□	1500	3.45	0.33	0.158
YKVC0513-182K-□□	1800	4.03	0.29	0.158
YKVC0513-222K-□□	2200	4.48	0.27	0.158
YKVC0513-272K-□□	2700	5.90	0.24	0.125
YKVC0513-332K-□□	3300	6.56	0.22	0.125
YKVC0513-392K-□□	3900	8.63	0.20	0.100
YKVC0513-472K-□□	4700	10.5	0.18	0.100
YKVC0513-562K-□□	5600	13.9	0.166	0.082
YKVC0513-682K-□□	6800	16.3	0.151	0.082
YKVC0513-822K-□□	8200	20.8	0.136	0.065
YKVC0513-103K-□□	10000	26.4	0.125	0.050
YKVC0513-123K-□□	12000	29.2	0.114	0.050
YKVC0513-153K-□□	15000	42.5	0.098	0.039

Part No.	L u(H) @1KHz	DCR (Ohm) Max	I sat (DC Amps)Ref	Suggested Rated Current(AC Amps) Ref.
YKVC1019-3R9K-UL	3.9	0.007	15.5	4.0
YKVC1019-4R7K-UL	4.7	0.008	13.9	4.0
YKVC1019-6R8K-UL	6.8	0.011	11.6	4.0
YKVC1019-100K-UL	10	0.017	8.70	4.0
YKVC1019-150K-UL	15	0.022	7.34	4.0
YKVC1019-220K-UL	22	0.026	6.07	4.0
YKVC1019-270K-UL	27	0.027	5.36	4.0
YKVC1019-330K-UL	33	0.032	4.82	4.0
YKVC1019-390K-UL	39	0.033	4.36	4.0
YKVC1019-470K-UL	47	0.035	3.98	4.0
YKVC1019-560K-UL	56	0.037	3.66	3.2
YKVC1019-680K-UL	68	0.047	3.31	2.5
YKVC1019-820K-UL	82	0.060	3.10	2.0
YKVC1019-101K-UL	100	0.090	2.79	1.6
YKVC1019-121K-UL	120	0.113	2.54	1.6
YKVC1019-151K-UL	150	0.129	2.22	1.6
YKVC1019-181K-UL	180	0.150	1.98	1.6
YKVC1019-221K-UL	220	0.162	1.89	1.6
YKVC1019-271K-UL	270	0.208	1.63	1.6
YKVC1019-331K-UL	330	0.212	1.51	1.6
YKVC1019-391K-UL	390	0.281	1.39	1.6
YKVC1019-471K-UL	470	0.380	1.24	1.2
YKVC1019-561K-UL	560	0.420	1.17	1.0
YKVC1019-681K-UL	680	0.548	1.05	1.0
YKVC1019-821K-UL	820	0.655	0.97	0.8
YKVC1019-102K-UL	1000	0.844	0.87	0.8
YKVC1019-122K-UL	1200	1.04	0.79	0.6
YKVC1019-152K-UL	1500	1.18	0.70	0.6
YKVC1019-182K-UL	1800	1.56	0.64	0.6
YKVC1019-222K-UL	2200	2.00	0.58	0.5
YKVC1019-272K-UL	2700	2.06	0.53	0.4
YKVC1019-332K-UL	3300	2.53	0.47	0.4
YKVC1019-392K-UL	3900	2.75	0.43	0.4
YKVC1019-472K-UL	4700	3.19	0.39	0.4
YKVC1019-562K-UL	5600	3.92	0.359	0.315
YKVC1019-682K-UL	6800	5.69	0.322	0.250
YKVC1019-822K-UL	8200	6.32	0.293	0.250
YKVC1019-103K-UL	10000	7.30	0.266	0.250
YKVC1019-153K-UL	15000	10.5	0.214	0.200
YKVC1019-223K-UL	22000	21.8	0.180	0.125
YKVC1019-333K-UL	33000	25.7	0.146	0.125
YKVC1019-473K-UL	47000	36.1	0.122	0.100
YKVC1019-683K-UL	68000	57.3	0.101	0.082
YKVC1019-104K-UL	100000	89.7	0.081	0.065

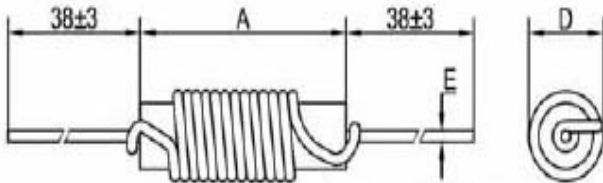
**Shape and Size(Dimension are in mm):**



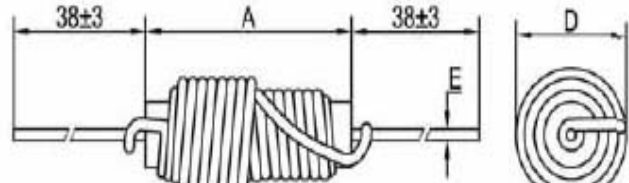
VCXX-XX-UL with heat-shrinkable UL tube



VC06222-XXX or other double layer



VC05201-XXX or other single layer



VC63353-XXX or other triple layer

Part No.	L(μH) @1KHz ±10%	Suggested Rated Current (AC Amps)	DCR (Ohm) Max	SRF (MHz) Min	A	B	E
					Max	Max	±0.05
YKVC05153-500k-1A-UL	50	1.0	0.120	4.0	20.32	12.06	0.80
YKVC05154-101k-1A-UL	100	1.0	0.180	2.0	20.32	12.06	0.80
YKVC06223-251K-1A-UL	250	1.0	0.300	1.0	26.67	12.06	0.80
YKVC06225-501K-1A-UL	500	1.0	0.500	0.8	26.67	13.97	0.80
YKVC06256102K-1A-UL	1000	1.0	0.600	0.5	29.84	13.97	0.80
YKVC05152-270K-2A-UL	27	2.0	0.085	5.5	20.32	12.70	0.80
YKVC05153-500K-2A-UL	50	2.0	0.100	4.0	20.32	12.70	0.80
YKVC06223-101K-2A-UL	100	2.0	0.150	2.0	23.37	12.70	0.80
YKVC05205-251K-2A-UL	250	2.0	0.250	1.0	23.37	15.24	0.80
YKVC06226-501K-2A-UL	500	2.0	0.450	0.5	26.67	19.05	0.80
YKVC05152-5R0K-3A-UL	5	3.0	0.025	5	20.32	12.06	0.80
YKVC05202-100K-3A-UL	10	3.0	0.035	20	23.37	12.06	0.80
YKVC05153-270K-3A-UL	27	3.0	0.050	6.0	20.32	13.97	0.80
YKVC05203-500K-3A-UL	50	3.0	0.065	4.0	23.37	13.97	0.80
YKVC06253-101K-3A-UL	100	3.0	0.075	2.0	29.84	13.97	0.80
YKVC06221-5R0K-5A-UL	5	5.0	0.015	50	26.67	12.06	1.00
YKVC05202-100K-5A-UL	10	5.0	0.025	40	26.67	12.06	1.00
YKVC06222-270K-5A-UL	27	5.0	0.035	7.0	26.67	17.78	1.00
YKVC06223-500K-5A-UL	50	5.0	0.050	2.0	26.67	17.78	1.00
YKVC08303-101K-5A-UL	100	5.0	0.065	1.0	33.02	17.78	1.00
YKVC5201-100k	10	3.0	0.060		22.00	8.00	0.80
YKVC63351-400K	40	3.0	0.082		38.00	8.00	0.80

YKVC63352-680K	68	5.0	0.054		38.00	14.50	1.00
YKVC63352-101K	100	2.0	0.216		38.00	10.00	0.80
YKVC63353-121K	120	3.5	0.080		38.00	13.00	1.00
YKVC63353-251K	250	2.5	0.170		38.00	11.50	0.80
YKVC63353-501K	500	2.0	0.260		38.00	14.50	0.80
YKVC63353-102K	1000	1.0	0.550		38.00	13.00	0.80